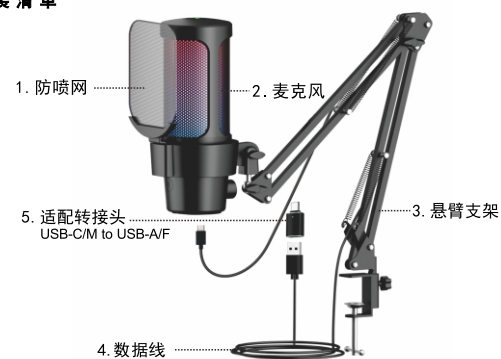


M902B 使用说明书



包装清单

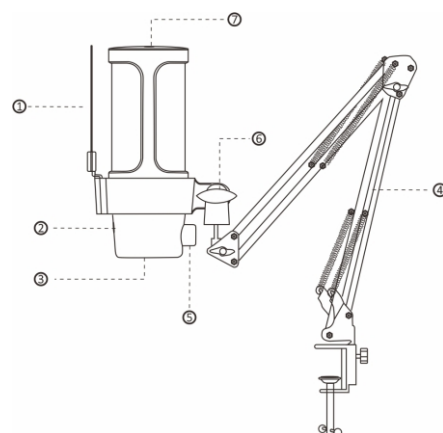


系统要求

PC: Windows 7/8/10/11
USB 2.0/3.0
手机: Android 6.0以上
iOS 9.0以上
Harmony OS 1.0以上
MAC
macOS (10.10 或更高)
USB 2.0/3.0

产品参数:

型号: M902B
灵敏度: $-40\text{dB} \pm 3\text{dB}$
类型: 录音直播游戏麦克风
信噪比: $>79\text{dB}$
工作电压/电流: DC5V/100mA
频率响应: 30Hz-20kHz
供电方式: USB/TYPE-C数据线外接供电
采样频率: 48kHz-192kHz
咪芯: 14MM 电容咪芯
连接方式: USB/TYPE-C
指向: 心形指向
线长: 1.8米



1. 防喷网可以有有效的预防说话喷出的气流
2. 触摸按键, 短按控制RGB灯光模式, 长按关闭或者打开RGB灯光
3. USB 接口
4. 悬臂支架, 可调麦克风角度方向
5. 麦克风录音大小调节
6. 调节旋钮, 可调麦克风角度方向
7. 静音触摸按键, 静音或者工作, 静音/红色, 工作/蓝色

保修条例:

1. 产品购买之日起一年内免费保修。
2. 本品在保修期间内, 若因产品质量问题影响使用, 可提供购买凭证享受保修服务。
3. 正常磨损或正常老化以及因意外或使用不当造成的损坏不在质保范围内。

RGB照明模式

共有三种照明模式: 静态纯色、动态多色渐变和动态多色慢闪照明效果。静态纯色模式的颜色顺序为红色、蓝色、绿色、紫色、青色、淡蓝和白色。

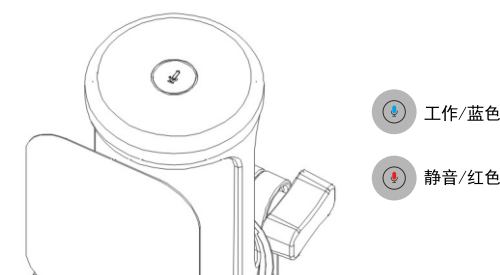


使用指南

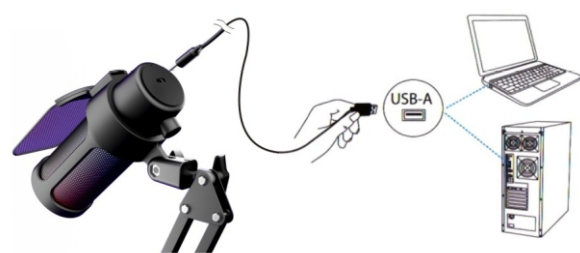
1. 将防喷网安装到防震架上, 将防震架安装支管架上, 并顺时针水平旋转2至3圈, 直到防震架面向你。



2. 触摸开关, 打开或者关闭麦克风状态, 蓝色灯代表麦克风正常工作, 红色灯代表麦克风关闭状态。



3. 将附带的USB数据线TYPE-C 规口插入麦克风, 然后将 USB-A 接口插入计算机的USB端口



4. 调整麦克风的角度的, 以手持麦克风咪芯朝向声源, 并拧紧螺钉。我们建议在15厘米-30厘米左右对着麦克风说话。



Windows 10系统设置

1. 输入设置

麦克风接好数据线后, 插入电脑USB接口, 稍后电脑自动安装所需驱动, 但可能不会弹出安装成功的提示消息。麦克风RGB灯将点亮, 这意味着麦克风处于工作状态。如果RGB灯无反应/未亮起, 说明麦克风处于静音状态

- 1) 用鼠标右键单击屏幕右下角的扬声器图标。点击“打开声音设置”



- 2) 单击声音控制面板



- 3) 选择“录制”选项, 并选择“M902B”作为默认设备。当使用麦克风说话时, 麦克风的音量指示图标会变成绿色并跳动; 如指示图标为灰色, 请重启计算机并在USB 端口中重新设置。如果仍然没有“M902B”, 请联系客服进行技术支持。



2、麦克风输入音量设置

- 1) 在麦克风底部, 逐步调整音量按键。
- 2) 调节输入音量。双击“M902B”进入麦克风属性, 选择“级别”选项。右键单击选项下的小喇叭图标, 将“百分比”改为“分贝”。拖动音量条以调整输入音量。



注: (适用于 MAC 和 Windows)

1. 如果计算机提示无法识别 USB 设备, 请重新启动计算机并将麦克风接到其他 USB 端口。
2. 如果识别麦克风但没有声音, 请检查系统声音是否静音, 是否打开麦克风音量控制。
3. 如果麦克风识别但没有声音, 且您的计算机系统是 Windows 10 系统, 请进入设置 > 隐私 > 麦克风, 并单击允许应用程序访问麦克风打开, 然后重新接上麦克风。

电脑设置

苹果MAC操作系统

1. 将所提供的 USB 数据线插入计算机上的 USB 端口。
2. RGB 指示灯立刻变亮, 意味着麦克风正在工作; 如果 RGB 灯未被点亮。轻触静音按钮, RGB 灯将亮起, 此时麦克风处于工作状态。
3. 要选择 M902B 作为音频输入首先, 打开系统首选项。
4. 接下来, 单击“系统偏好设置”, 选择“声音”, 打开属性页面
5. 单击“输入”选项, 选择“M902B”作为声音输入的设备, 可以拖动下方音量条调节麦克风的输入音量。

注意事项 (适用于 MAC)

在使用苹果电脑时, 如果您不是用麦克风来监听声音, 而是通过电脑 (和音箱) 来扩音的话, 则必须借助录音软件的监听功能才能实现。(常用的软件有: Quick Time Player 或者 Audacity)。调整软件设置, 选择录制时监听音频, 然后点击录音键, 这样您就可以一边说话, 一边从电脑音箱那里听到自己的声音。

在 Macbook 中使用语音转换文本时, 选择默认的对话和语音软件, 点击对话框下的“打开”, 以便软件可以识别您的麦克风。



观看视频时请耐心等待几秒钟,
因为视频需要缓冲。

Official: www.vcom.com.hk

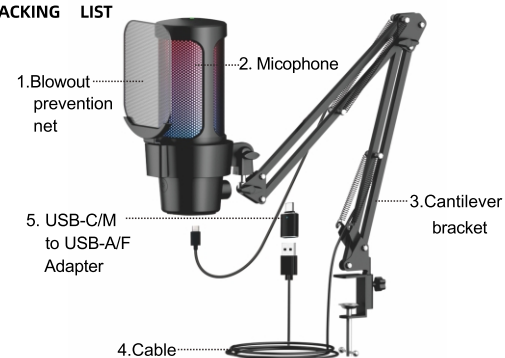
Independent: www.vcom.hk

M902B

Operating instruction



PACKING LIST



SYSTEM REQUIREMENTS

PC: Windows 7/8/10/11
Above Android 6.0
USB 2.0/3.0

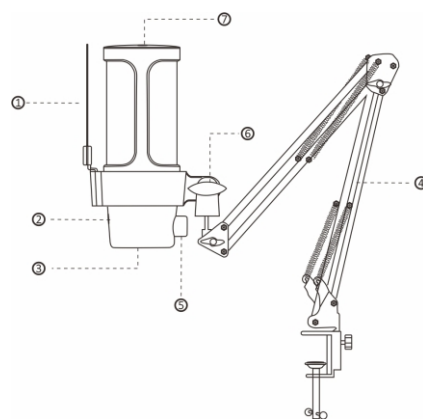
Mobile phone:
Above IOS 9.0
Above Harmony Os 1.0

MAC

mac OS (Above 10.10)
USB 2.0/3.0

PRODUCT PARAMETERS:

Model: M902B	Sensitivity: -40dB±3dB
Type: Recording live game microphone	Signal to noise ratio: >79dB
Working voltage/current DC5V/100mA	Frequency response: 30Hz-20kHz
Power supply method: USB/TYPE-C data cable external power supply	Sampling frequency: 48kHz-192kHz
Mic core: 14MM capacitor Mic core	Connection method: USB/TYPE-C
Pointing: Heart shaped pointing	Line length: 1.8 meters



- Blowout prevention nets can effectively prevent airflow from speaking
- Touch the button, short press to control the RGB light mode, long press to turn off or on the RGB light
- USB interface
- Desktop bracket
- Microphone recording size adjustment
- Adjust the knob to adjust the angle and direction of the microphone
- Mute touch button, mute or work, mute/red, work/blue

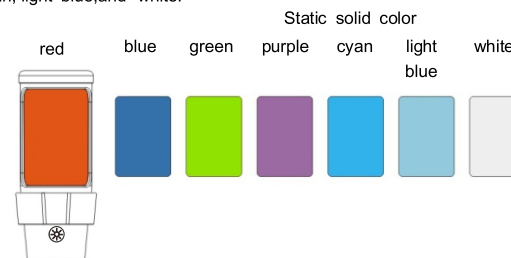
WARRANTY RULES:

- One year free warranty from the date of purchase.
- During the warranty period, if the product quality problems affect the use, you can provide purchase certificate to enjoy warranty service.
- Normal wear and tear or normal aging and damage caused by accident or improper use are not covered by the warranty.

RGB LIGHTING MODE

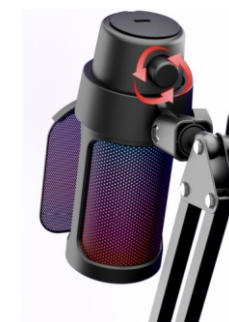
There are three lighting modes: static solid color, dynamic multi color gradient, and dynamic multi color slow flashing lighting effect.

The color order of the static solid color mode is red, blue, green, purple, cyan, light blue, and white.

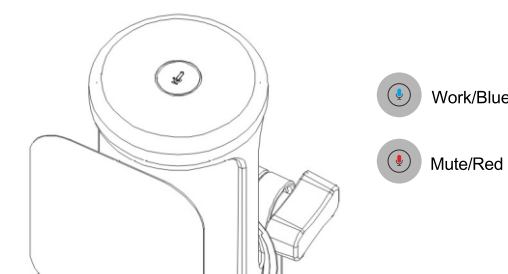


USE GUIDE

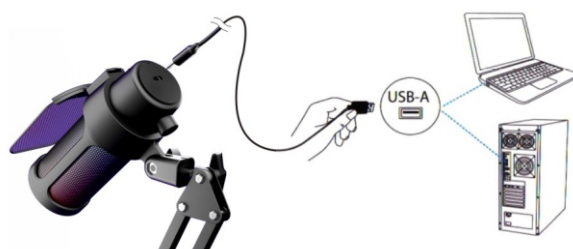
- Install the blowout preventer net on the shockproof rack, install the shockproof rack on the support pipe rack, and turn clockwise horizontally for 2 to 3 turns until the shockproof rack faces you.



- Touch the switch to turn the microphone on or off. The Blue light represents normal operation of the microphone, and the red light represents the microphone off state.



- Broadcast the attached USB data line Type-C gauge port into the microphone, and then broadcast the USB-A interface into the USB port of the computer.



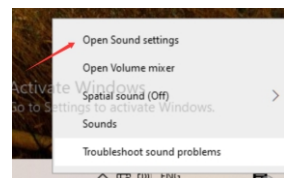
- Adjust the Angle of the microphone so that the microphone core is deeply held towards the sound source, and tighten the screw. We recommend speaking into the microphone at about 15-30 centimeters.



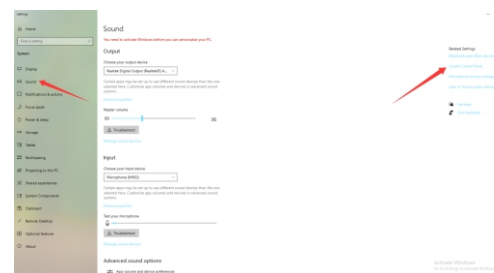
Windows 10 system Settings

- Set the microphone
After connecting the data cable, insert the USB interface of the computer. Later, the computer will automatically install the required driver, but there may not be a prompt message indicating successful installation. The MICROPHONE RGB light will be on, which means the microphone is working. If the RGB indicator does not respond or is off, the microphone is silent.

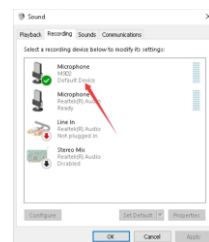
- Right-click the speaker icon in the lower right corner of the screen. Click on "Turn on Sound Settings"



- Click the Sound control panel

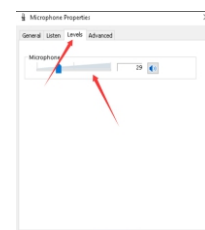


- Select the "Record" option and select "M902B" as the default device. When using a microphone to speak, the microphone's volume indicator icon turns green and jumps; if the indicator icon is gray, restart the computer and reset it in the USB port.
- If M902B is still unavailable, contact customer service for technical support.



- Microphone input volume Settings

- At the bottom of the microphone, gradually adjust the volume button.
- Adjust the input volume. Double-click on "M902B" to access the microphone properties and select the "Level" option. Right-click the tab icon under the options, change the "percentage" to "decibels", and drag the volume bar to adjust the input volume.



Note: (for MAC and Windows)

- If the computer displays a message indicating that the USB device cannot be identified, restart the computer and connect the microphone to another USB port.
- If no sound is heard, check whether the system voice is muted and whether the microphone volume control is enabled.
- If the microphone recognizes but there is no sound and your computer is running Windows 10, go to Settings > Privacy & Microphone, and click Allow application access to the microphone to open and then reconnect the microphone.

COMPUTER SETTINGS

Apple's MAC operating system

- Insert the supplied USB data cable into the USB port on the computer.
- RGB indicator light turns on immediately, which means the microphone is working; if the RGB light is not lit, tap the mute button, the RGB light will turn on, at this time the microphone is in working state.
- To select M902B as the AUDIO input, first, open system preferences.
- Click System Preferences and choose Sound. The properties page is displayed.
- Click Input and select M902B as the AUDIO input device. Drag the volume bar below to adjust the input volume of the microphone.

Precautions (for MAC)

On a MAC, if you use the computer (and speaker) to amplify the sound instead of listening to the microphone, you must use the listening function of the recording software to do so. (Quick Time Player or Audacity), adjust your software Settings, select listen for audio while recording, and click the Record button so that you can hear yourself from your computer speaker as you speak.

When using voice-to-text on your Macbook, select the default dialog and voice software and click "Open" under the dialog window so that the software can recognize your microphone.



Please be patient for a few seconds while watching the video as it needs to buffer.

Official: www.vcom.com.hk

Independent: www.vcom.hk